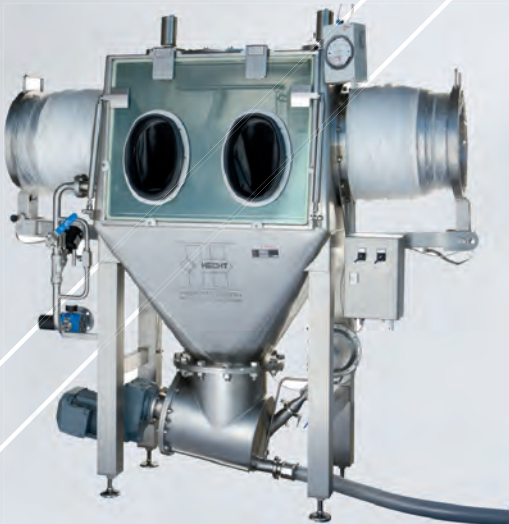


**WE CARE.**

**HECHT**  
technologie

# SACK DISCHARGE STATIONS





# Sack discharge stations

## Check list for quotation

**CHECK LIST**

### PERSONAL DATA

Company: \_\_\_\_\_  
 Street: \_\_\_\_\_  
 Postal Code / City: \_\_\_\_\_  
 Project: \_\_\_\_\_  
 Contact person: \_\_\_\_\_  
 E-mail: \_\_\_\_\_  
 Phone: \_\_\_\_\_  
 Fax: \_\_\_\_\_



### DISCHARGE PRODUCT

#### PRODUCT DATA

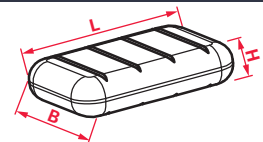
Product designation: \_\_\_\_\_  
 Bulk density [kg/l]: \_\_\_\_\_  
 Moisture content [% H<sub>2</sub>O]: \_\_\_\_\_  
 Temperature [°C]: \_\_\_\_\_  
 Particle size [mm or “]: \_\_\_\_\_  
 Angle of repose: \_\_\_\_\_

#### PRODUCT CHARACTERISTICS

- Freely flowing     Bridging  
 Dusty     Adhesive  
 Abrasive     Flushing  
 Toxic     Hygroscopic  
 Poorly flowing     Chem. aggressive  
 Caking

### PACKAGE SIZE

W x D x H (max.) [mm or “]: \_\_\_\_\_  
 Max. sack weight [kg]: \_\_\_\_\_



### AMBIENT CONDITIONS

Room height (lower edge ceiling or tubing) [mm or “]: \_\_\_\_\_

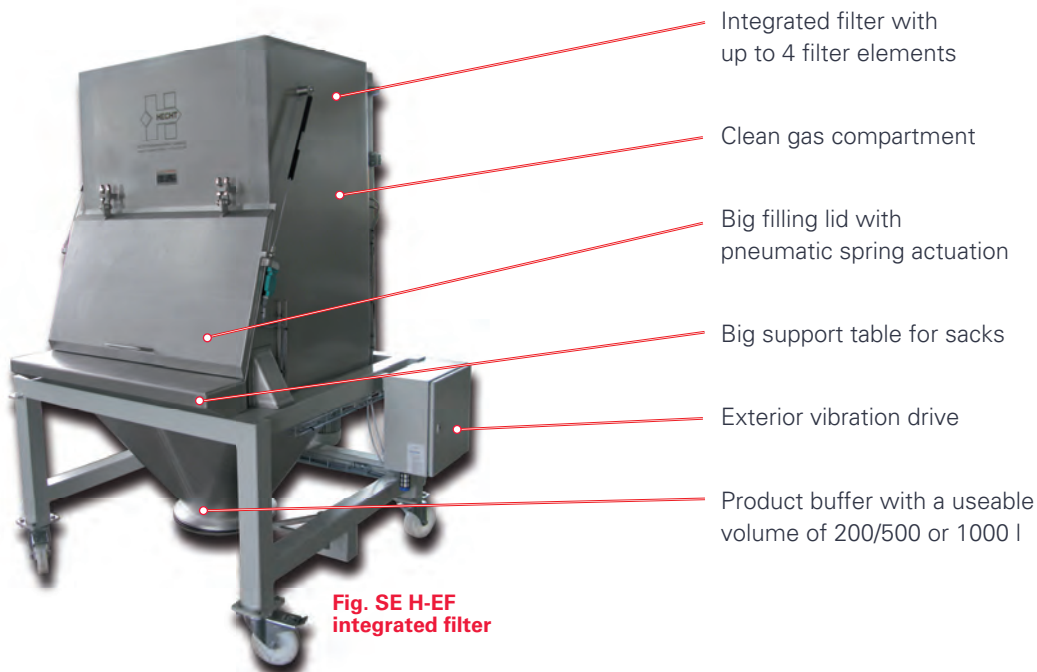
Empty sack disposal     External filter  
 Empty sack compressor     ProClean  
 Integr. protection sieve     Mobile version  
 Mesh size [mm or “]: \_\_\_\_\_     Mechanical docking device  
 Dust exhaust by customers     Pneumatical docking device  
 Add-on filter with integrated ventilator

Compressed air supply [bar]: \_\_\_\_\_ Power supply: \_\_\_\_\_ [Volt] \_\_\_\_\_ [ph] \_\_\_\_\_ [Hz]  
 Ex-proof:  yes  no    Ex-Zone: \_\_\_\_\_ Protection class: IP \_\_\_\_\_  
 Material of product touching parts: \_\_\_\_\_ Downstream units?: \_\_\_\_\_  
 Material of non-product touching parts: \_\_\_\_\_ Discharge power [sack/h]: \_\_\_\_\_  
 Sandblasting SA 2,5:  yes  no



## ADVANTAGES AT A GLANCE

- ◆ Easy to operate, hardly any training required
- ◆ Compact design
- ◆ Easy cleaning due to open design
- ◆ Fast sieve replacement without tools
- ◆ Particularly suited in the case of frequent product change and hygienic requirements.
- ◆ Numerous options and possible accessories
- ◆ Versions with different materials / surfaces
- ◆ Special types possible on request



Open lid held in place by pneumatic springs

Removable sieve for fast and easy cleaning.  
Sieve replacement within 1 min. due to bayonet locks.  
50 l useable volume due to high clamping ring of sieve

Internal vibration decoupling, thus one-piece casing without transition sleeves





# Sack discharge stations with integrated protective sieve - SE RVS

HAND  
OUT

## DESCRIPTION AND DESIGN



HECHT's **SE RVS** is a sack discharge station in hygienic design with integrated vibrating sieve for dissolution of small lumps and separation of contaminants.

The integrated protective vibrating sieve holds back all impurities that must not get in touch with the product or that exceed a defined particle size (protective sieve). Furthermore, small lumps can easily be dissolved.

Because of the internal vibration decoupling, no hygienically critical transition sleeves are needed (one-piece casing). If necessary for product changes, the sieve can be exchanged without using any kinds of tools.

Due to the round design, the SE RVS can easily be cleaned and is suitable for the use in Ex-zones.

A ventilator behind an external filter generates a continuous, slight low pressure in the system in order to avoid the emission of dust while discharging the sack. The suction can be switched on automatically when opening the front flap.



## HANDLING



The operator opens the filling flap and places the sack into the support table. Using a knife, the operator opens the sack and empties the product.

The protective vibrating sieve is driven by a vibration motor. It prevents impurities or packaging remains from getting in touch with the product flow. In addition, small lumps are dissolved by the vibration.

The empty sack can be disposed of through a laterally mounted empty sack disposal chute (optional). After the discharge the operator shuts the front flap.

If required, the sack discharge station can be cleaned using water.

## ADVANTAGES

- ◆ Integrated vibrating sieve for separation of contaminants and packaging remains
- ◆ Contaminants can be immediately removed using a sieve located at the top
- ◆ Fast and easy sieve change
- ◆ Dissolution of small lumps
- ◆ On-site dedusting
- ◆ Particularly suitable in the case of frequent product change and hygienic requirements
- ◆ Easy-to-clean due to foldable design

## OPTIONS

- ◆ Empty-sack chute and compactor (Standard or hygienic design)
- ◆ Optional design with machine feet
- ◆ Mobile version with fixed or swivel castors
- ◆ Discharging aid
- ◆ Various sieve inserts
- ◆ Available in Hygienic Design



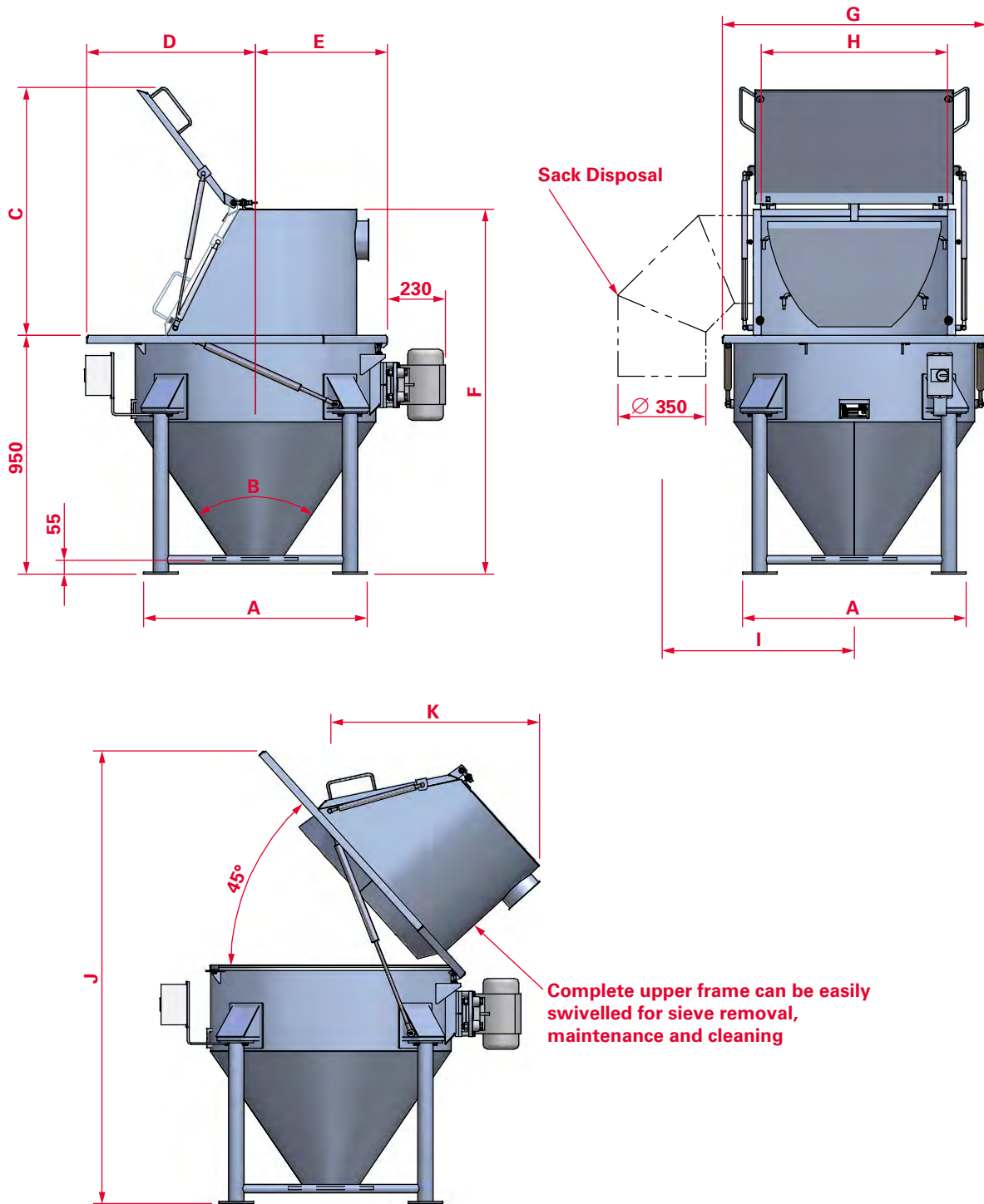


# Sack discharge stations

## Sack discharge station - SE RVS

**DIMEN-  
SION  
SHEET**

### STANDARD DIMENSIONS



Type	A [mm]	B [°]	C [mm]	D [mm]	E [mm]	F [mm]	G [mm]	H [mm]	I [mm]	J [mm]	K [mm]	Hopper volume [l]
RVS6	750	45 - 60	860	555	425	1350	850	540	665	1650	760	ca. 100 - 125
RVS8	890	60 - 70	960	670	525	1450	1050	740	765	1800	830	ca. 150 - 180



## DESCRIPTION AND DESIGN

Sack discharge stations provide a convenient and compact possibility of discharging sacks in a low-dust way. Depending on the requirements, the dust can be separated in an integrated filter with product return, or in an external filter in combination with a dedusting system. The exhaust unit starts automatically when the front flap is opened.

HECHT's **SE H** is available as a basic model for on-site dedusting or with top-mounted filter. The spacious hopper consists of a product buffer of 260 litres. The large grid of 50 mm x 50 mm can be easily exchanged without any tooling.

The sack discharge station **SE H-EF** with integrated filter and protective vibrating sieve is used for hygienic

applications in many different areas.

The integrated filter (PE filter with PTFE coating and extremely high separation efficiency) avoids product carryover and thus product loss.

The easy-to-clean and hygienic design as well as the user-friendly integration of the filter elements simplify the handling of any kind of products.

**SE H  
Basic Design**

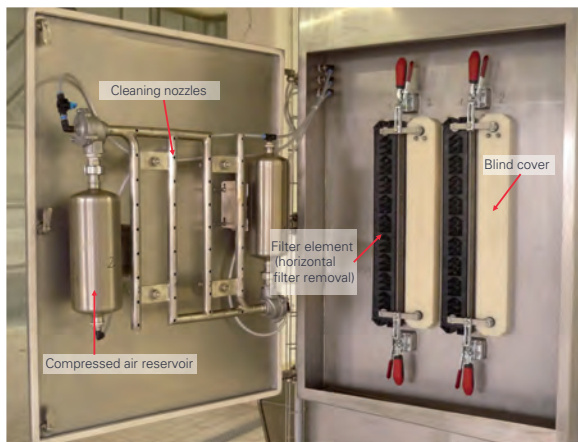


**SE H-EF  
with integrated  
filter**



## HANDLING

### Clean gas chamber



The operator provides the sacks to be discharged and activates the exhaust system. After opening the front flap, the operator places the sack onto the support table and pushes it into the sack discharge station. Using a knife, the sack is opened and emptied.

Product lumps are retained by the sieve. Accruing dust is extracted by the integrated filters.

The empty sack can then be removed from the discharge station. Optionally, it can be disposed of via an empty-sack chute.

After discharging all sacks, the operator closes the front flap and switches off the exhaust system.

## ADVANTAGES

- ◆ Operator-friendly integration of the filter elements
- ◆ Integrated on-site dedusting
- ◆ Inboard vibration decoupling, without compensators
- ◆ Easy cleaning due to foldable design
- ◆ No product carryover during the exhaust process
- ◆ Fast grid change

## OPTIONS

- ◆ Integration of up to 4 filter elements possible
- ◆ Protective vibrating sieve for separation of contaminants and dissolution of small lumps
- ◆ Empty-sack disposal and compactor (standard or hygienic design)
- ◆ Optional design with machine feet
- ◆ Scissors lift
- ◆ Available in hygienic design
- ◆ Mobile version with fixed or swivel castors

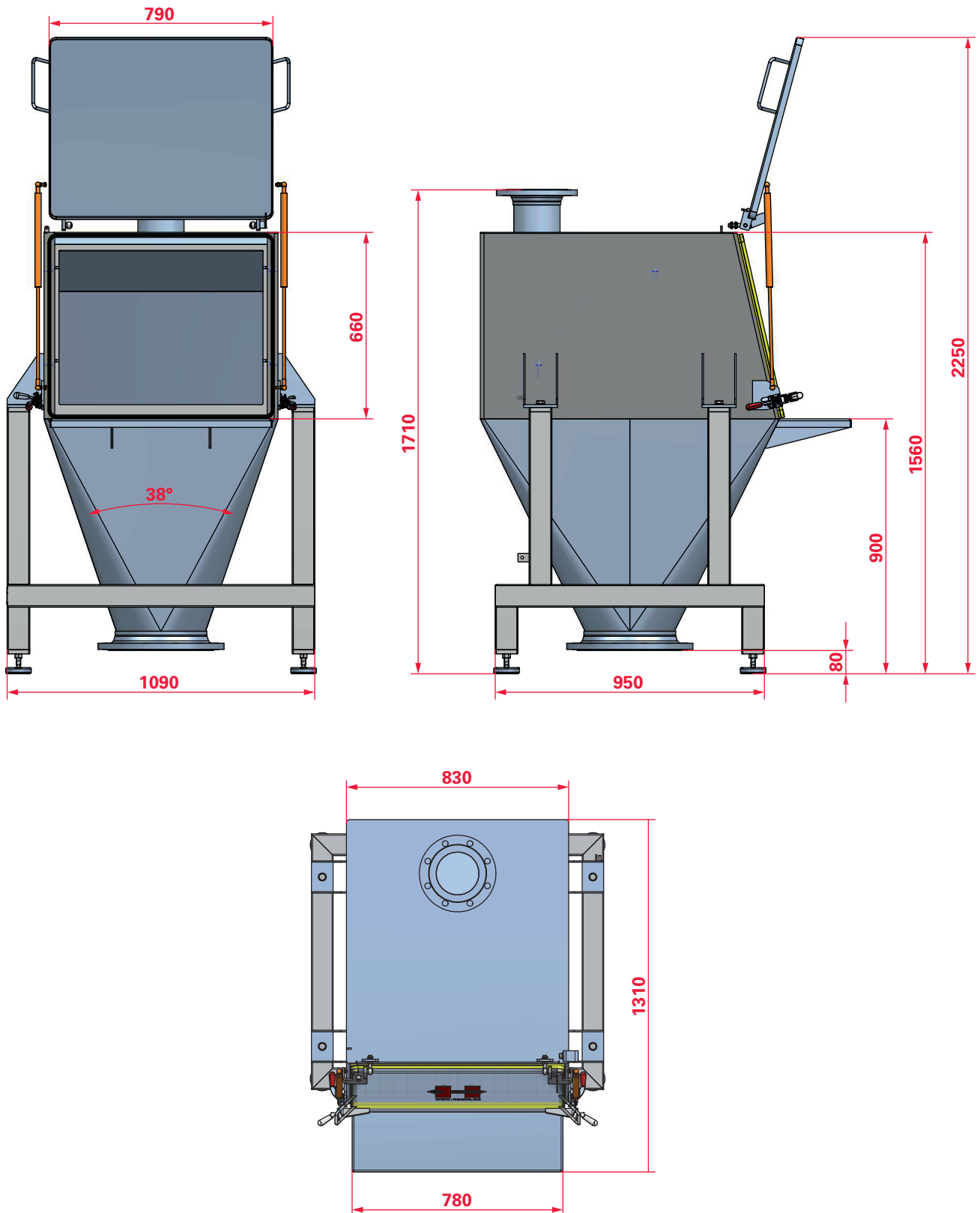


# Sack discharge stations

## Sack discharge station - SE H

DIMEN-  
SION  
SHEET

### STANDARD DIMENSIONS



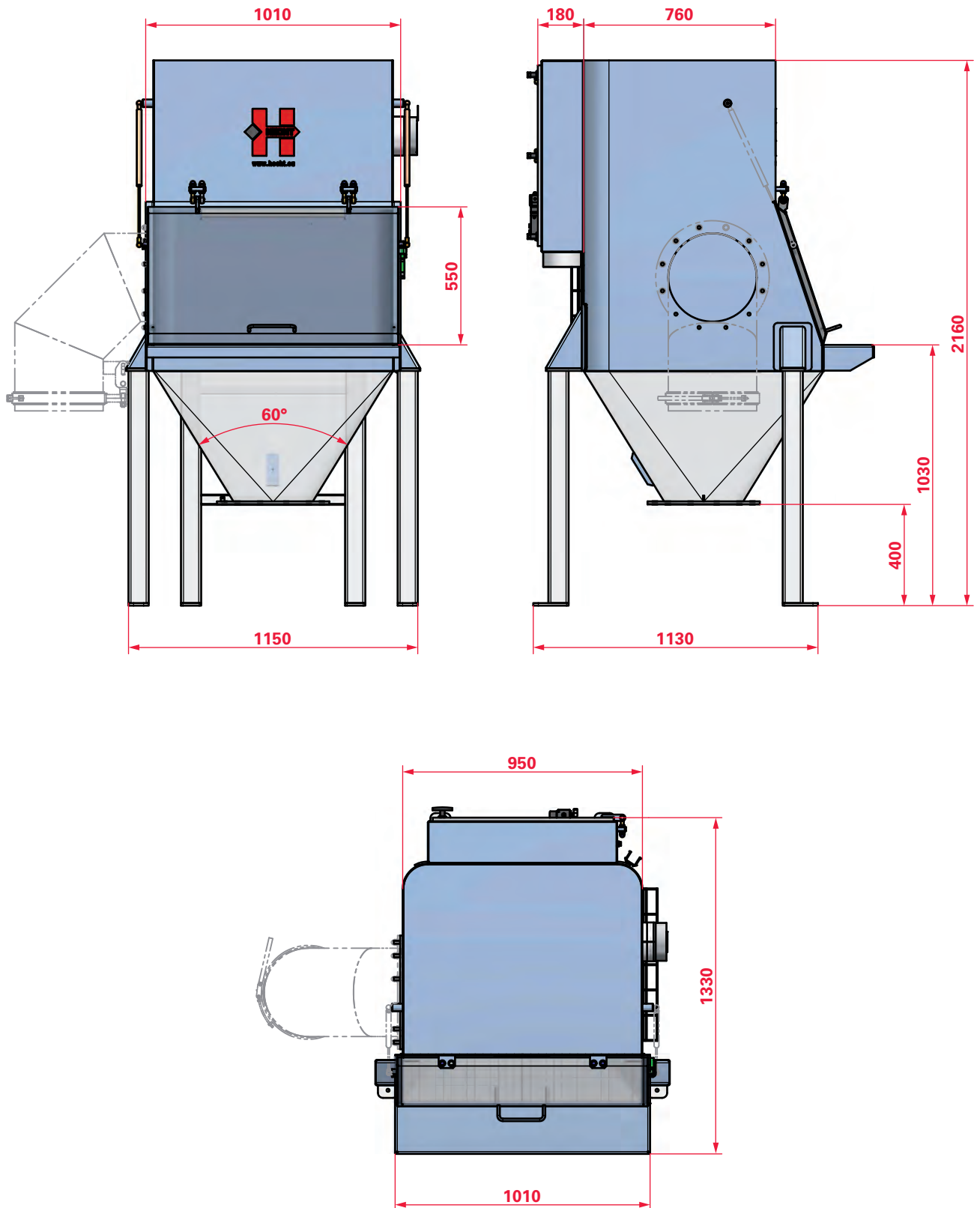


# Sack discharge stations

## Sack discharge station - SE H-EF

DIMENSION SHEET

### STANDARD DIMENSIONS







# Sack discharge stations

## High Containment Sack Discharge SE CS

HAND  
OUT

### DESCRIPTION AND DESIGN

Containment means highest safety for the operator and the product.

HECHT goes one step further: To us, containment means safe, clean and efficient: To ensure effective operator protection, it is essential to contain the product at the production site, from the first step in the process until final packaging.

Likewise, the risk of cross contamination is excluded to protect the operator. When using hazardous substances, our systems provide the safety to do without personal protective equipment at any time.

The pressure-controlled **High Containment Sack discharge station SE CS** ensures dust-proof, contamination-free discharge

of your sacks up to OEB Level 5, meeting the highest hygienic requirements.

A glovebox with connected continuous liner packages makes sure that the system is hermetically sealed at any time. The sacks are provided in an isolator via an airlock.

Negative pressure prevents dust from escaping, and the personnel does not come into contact with the product.



### HANDLING



The product is fed in through an airlock with continuous liner on the left-hand side of the isolator. The liner is closed twice after the sack.

The operator handles and opens the sack inside the glovebox using the gloves. The sack can then be separated from the endless liner and emptied.

Then, the continuous liner is closed twice after the next sack, and the already emptied sack is cut off. In the next step, the empty sack is directly disposed of into a waste bin through a pipe on the right-hand side.

At no time are contaminated surfaces open. The pressure inside the sack discharge station is continuously monitored in order to prevent the escape of air and oxygen.

### ADVANTAGES

- ◆ Containment version - discharge up to OEB 5 / OEL <math>1 \mu\text{g}/\text{m}^3</math>
- ◆ Closed system due to isolator technology and continuous liner locks
- ◆ Contamination-free replacement of the gloves and the continuous liner cartridges
- ◆ Contamination-free connection using double-O-ring technology
- ◆ Product handling by means of gloves

### OPTIONS

- ◆ WIP (Washing in Place)
- ◆ Ex version for zones: inside 1/12; outside 2/22
- ◆ Full FDA compliance of the materials used
- ◆ Empty sack disposal and compactor (standard or hygienic design)
- ◆ Mobile version with fixed and swivel castors
- ◆ Hygienic design

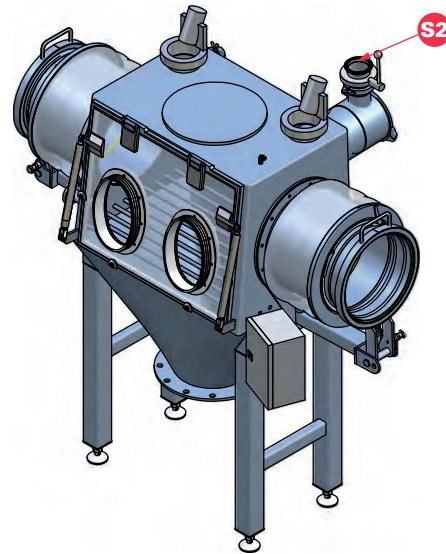
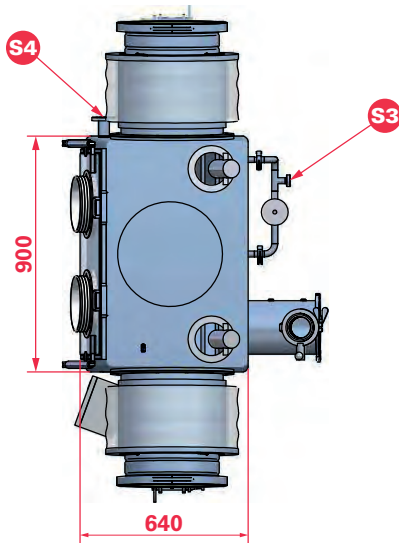
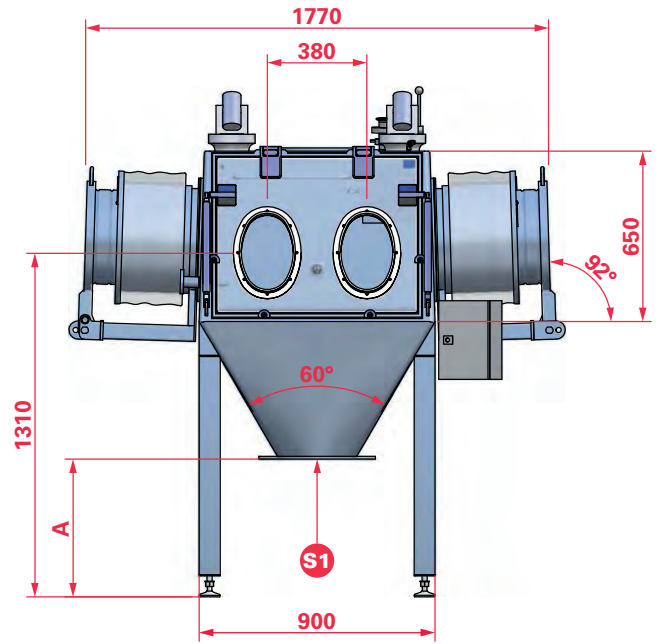
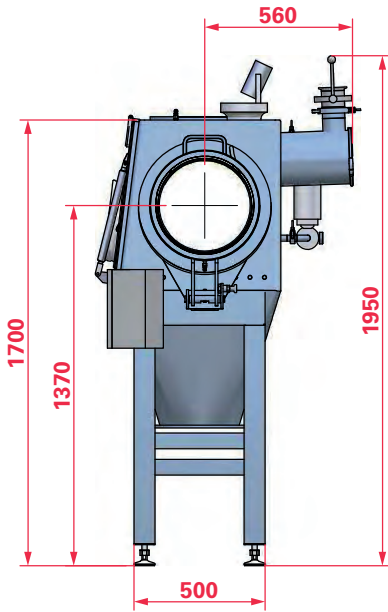


# Sack discharge stations

## Sack discharge station - SE CS

**DIMENSION SHEET**

### STANDARD DIMENSIONS

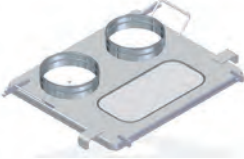
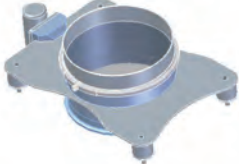

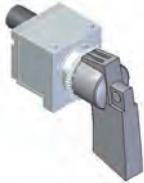


	Circuit points S1	Circuit points S2	Circuit points S3	Circuit points S4
A	Outlet supply	Outlet air supply	Supply for WIP-equipment	Delivery air / N <sub>2</sub> supply
	Outlet as flat flange (hole pattern to DIN 2576 PN10) or tube connection	Clamp connection DIN 32676	Dairy coupling according DIN 11851	Aseptic small flange PN10 without flute for DIN tube
400	DN150	DN80	DN20	DN40
440	DN200			
480	DN250			
530	DN300			



### SPECIFICATION



Extensions	Description	SE H	SE H-EF	SE RVS	SE CS
	<b>Dedusting</b> ♦ integrated filter	◆	◆	◆	◆
	<b>Dedusting</b> ♦ freestanding filter ♦ top-mounted filter	◆	◆	◆	◆
	<b>Dedusting</b> with gloves and window for dust-free working or handling of critical products	◆	◆	◆	◆
	<b>Protective vibrating sieve</b> ♦ easy to dismount ♦ for dissolution of small lumps and separation of contaminants		◆	◆	◆
	<b>Discharge aid</b> ♦ suction shoe	◆	◆	◆	◆
	<b>Splitter silencer</b>	◆	◆	◆	◆

◆ Option ◆ Standard



### SPECIFICATION



Extensions	Description	SE H	SE H-EF	SE RVS	SE CS
	<b>Sack disposal</b>	◆	◆	◆	◆
	<b>Empty-sack compactor</b> ◆ optionally in hygienic design	◆	◆	◆	◆
	<b>Forklift pockets</b>	◆	◆	◆	◆
	<b>Version with</b> ◆ machine feet ◆ fixed and swivel castors	◆	◆	◆	◆
	<b>Scissors lift</b>	◆	◆	◆	◆
	<b>Vacuum sack lifter</b>	◆	◆	◆	◆

◆ Option ◆ Standard





# Sack discharge stations

## Example of use: Mixer charging

HAND  
OUT

### PROCESS DESCRIPTION

The selection of the right mixing technique and automated systems depends above all on the desired functions and the raw materials to be handled by our customers. In particular in the food industry, a simple, hygienic and easy-to-clean feeding system plays an important role.

The combined HECHT sack discharge stations guarantee a constant product quality by means of efficient production processes as well as low-dust or dust-free, contained

transport of your product into a safe and clean mixing process. In addition to the user-friendly design and the little space requirements of our systems, reduced production costs are also important issues for our customers.

### PROCESS STEP 1

The operator empties the product into the sack discharge station that is available in different versions depending on customer requirements.

The integrated protective vibration sieve retains contaminants and dissolves small lumps. An optional integrated filter with up to four filter elements and pneumatic cleaning

prevents product from being carried over into the suction lines.

The product is transferred by means of vacuum from a suction shoe with optional stirring device through a conveying line to the mixer.



### PROCESS STEP 2

The HECHT ProClean® Conveyor pneumatically conveys the product into the mixer. The different PCC versions allow for individual, safe and gentle conveying and dosing of powders and granules. The special filter head increases your efficiency and offers versatile possibilities of configuring your system in a flexible way according to your needs.

In areas with the highest requirements placed on cleanliness and hygiene, the PCC enables working in a dust-free atmosphere. Fast filter replacement as well as different cover designs as

well as an optional self-cleaning WIP or CIP version for cleaning the conveying hose and the conveyor facilitate the production process.

The HECHT PCC distinguishes itself above all by a particularly long lifetime of the filter, and enables the transport of particularly fine-grained products. The continuously adjustable conveying air supply enables numerous conveying modes, ranging from dilute-phase conveying to plug conveying.

### PROCESS STEP 3

Various docking systems enable connection of the PCC with your mixing system. The mixing process, individually defined by our customers, requires important criteria to be considered, e.g. the characteristics of the raw material or whether mixing is to be performed under vacuum or atmospherically.

Criteria such as throughput, (freedom from contamination) and traceability are to be considered as well, playing an important role from the very start.

Only in this way can the appropriate HECHT system be optimally designed with the suitable conveying and dosing equipment. Of course, we also supply the appropriate equipment for discharging the blended product in a further process step. In this case, a big bag filling station or a drum filling station would be a suitable choice. Depending on the product, they are available in various containment versions, or, depending on the specification, with ATEX.

### AT A GLANCE



hygienic and easy to clean



highest safety requirements



economical, flexible and user-friendly